

# PASSTCERT

QUESTION & ANSWER

Higher Quality  
Better Service!

We offer free update service for one year  
[HTTP://WWW.PASSTCERT.COM](http://www.passtcert.com)

**Exam** : **300-620**

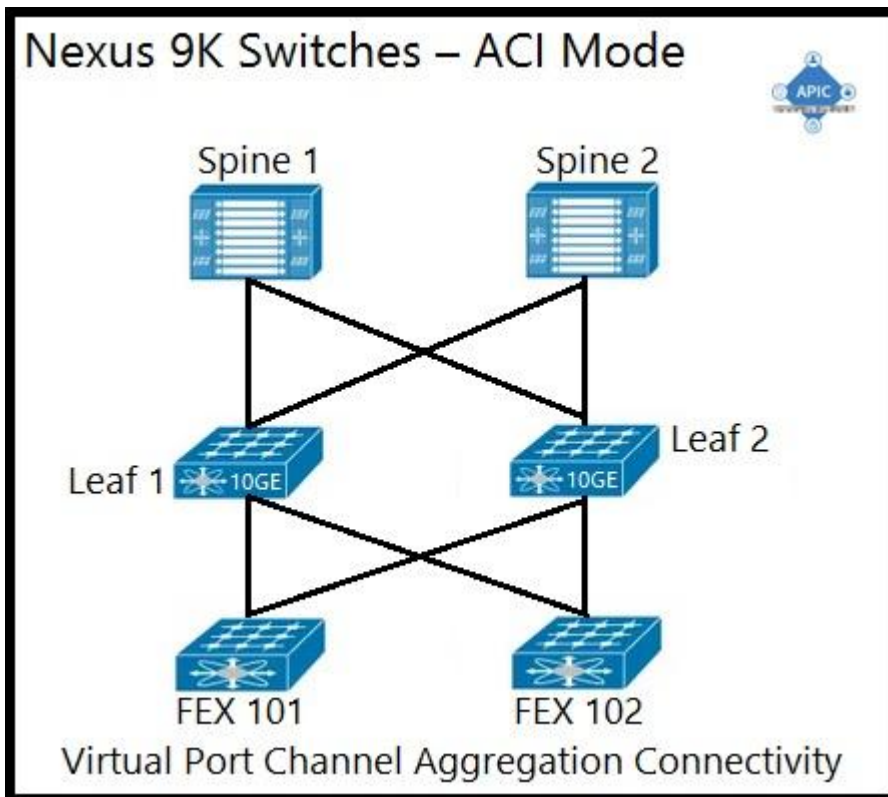
**Title** : Implementing Cisco  
Application Centric  
Infrastructure (DCACI)

**Version** : DEMO

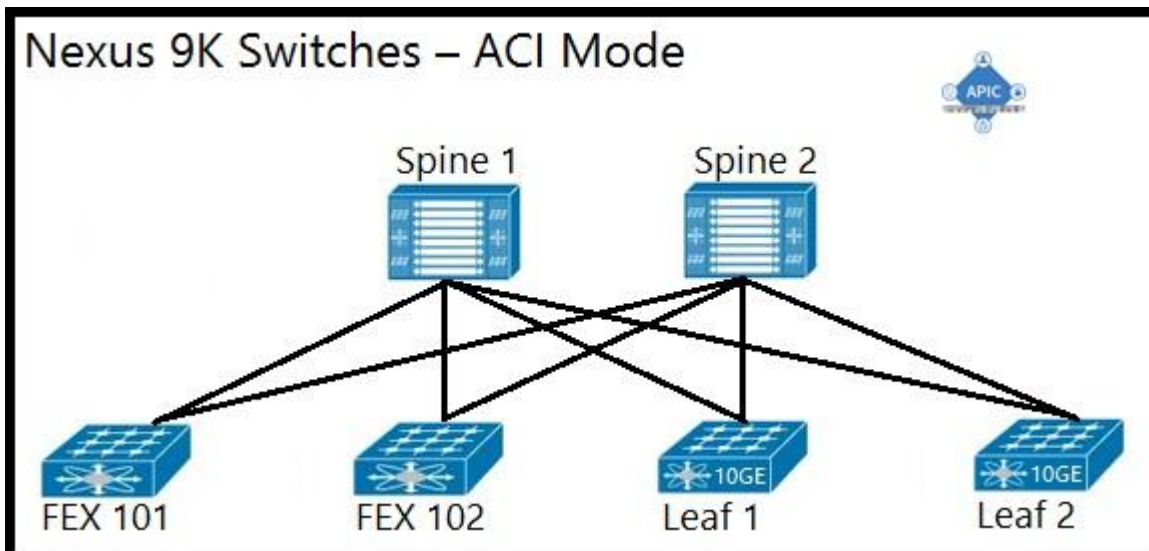
1.An engineer is implementing a Cisco ACI data center network that includes Cisco Nexus 2000 Series 10G fabric extenders.

Which physical topology is supported?

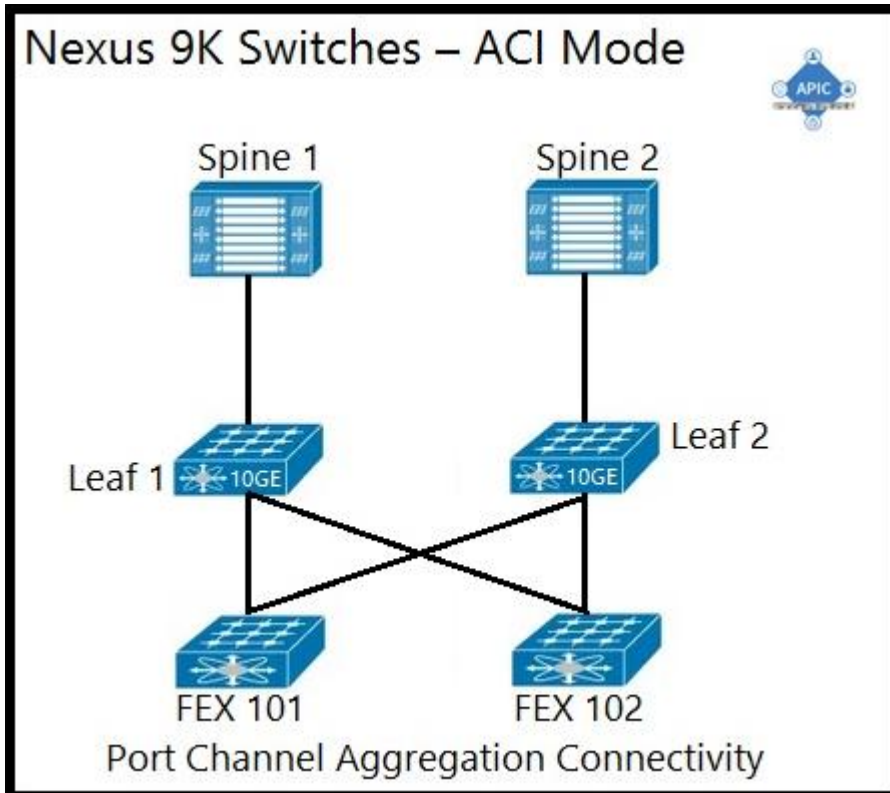
A)



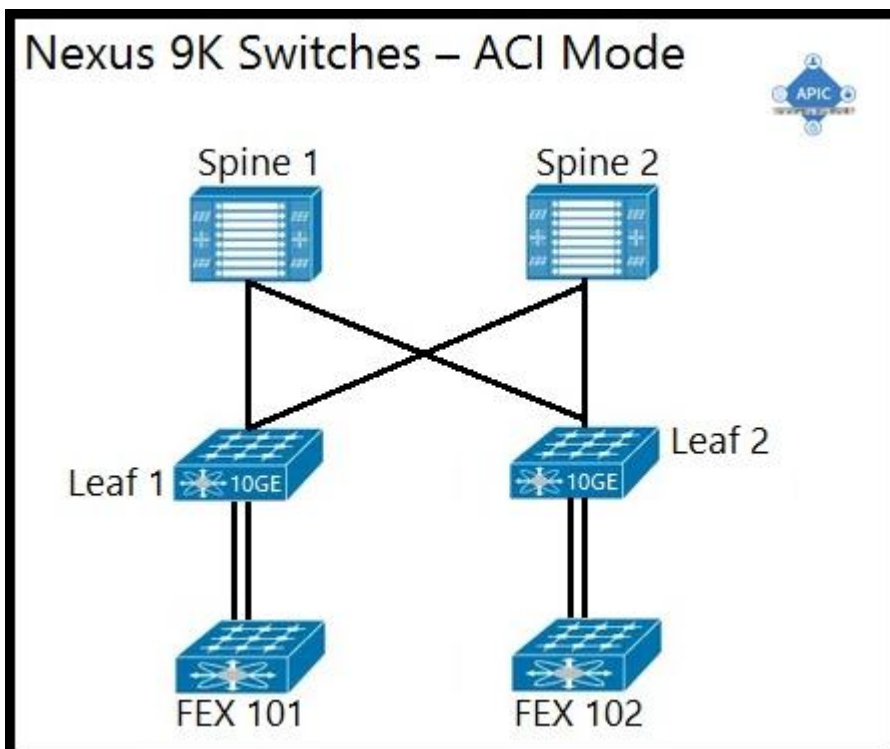
B)



C)



D)



- A. Option A
- B. Option B
- C. Option C
- D. Option D

**Answer: D**

2.An ACI administrator notices a change in the behavior of the fabric.

Which action must be taken to determine if a human intervention introduced the change?

- A. Inspect event records in the APIC UI to see all actions performed by users.
- B. Inspect /var/log/audit\_messages on the APIC to see a record of all user actions.
- C. Inspect audit logs in the APIC UI to see all user events.
- D. Inspect the output of show command history in the APIC CLI.

**Answer: C**

3.An engineer is creating a configuration import policy that must terminate if the imported configuration is incompatible with the existing system.

Which import mode achieves this result?

- A. merge
- B. atomic
- C. best effort
- D. replace

**Answer: B**

Explanation:

Reference: [https://www.cisco.com/c/en/us/td/docs/switches/datacenter/aci/apic/sw/4-x/aci-fundamentals/Cisco-ACI-Fundamentals-401/Cisco-ACI-Fundamentals-401\\_chapter\\_01011.html](https://www.cisco.com/c/en/us/td/docs/switches/datacenter/aci/apic/sw/4-x/aci-fundamentals/Cisco-ACI-Fundamentals-401/Cisco-ACI-Fundamentals-401_chapter_01011.html)

4.Which components must be configured for the BGP Route Re ector policy to take effect?

- A. spine fabric interface overrides and pro les
- B. access policies and pro les
- C. pod policy groups and pro les
- D. leaf fabric interface overrides and pro les

**Answer: C**

Explanation:

Reference: [https://www.cisco.com/c/en/us/td/docs/switches/datacenter/aci/apic/sw/4-x/L3-configuration/Cisco-APIC-Layer-3-Networking-ConSguration-Guide-401/Cisco-APIC-Layer-3-Networking-Conguration-Guide-401\\_chapter\\_01.html](https://www.cisco.com/c/en/us/td/docs/switches/datacenter/aci/apic/sw/4-x/L3-configuration/Cisco-APIC-Layer-3-Networking-ConSguration-Guide-401/Cisco-APIC-Layer-3-Networking-Conguration-Guide-401_chapter_01.html)

5.Which type of policy configures the suppression of faults that are generated from a port being down?

- A. fault lifecycle assignment
- B. event lifecycle assignment
- C. fault severity assignment
- D. event severity assignment

**Answer: C**

Explanation:

Reference:

[https://www.cisco.com/c/en/us/td/docs/switches/datacenter/aci/apic/sw/all/faults/guide/b\\_APIIC\\_Faults\\_Errors/b\\_IFC\\_Faults\\_Errors\\_chapte\\_r\\_01.html](https://www.cisco.com/c/en/us/td/docs/switches/datacenter/aci/apic/sw/all/faults/guide/b_APIIC_Faults_Errors/b_IFC_Faults_Errors_chapte_r_01.html)