

PASSTCERT

QUESTION & ANSWER

Higher Quality
Better Service!

We offer free update service for one year
[HTTP://WWW.PASSTCERT.COM](http://www.passtcert.com)

Exam : **C2010-657**

Title : IBM Tivoli Netcool/OMNibus
V7.4 Implementation

Version : DEMO

1.What is the recommended solution delivery mechanism for Native Event List tools, prompts, and menus?

- A.They are included in the WebGUI configuration.
- B.They should be packaged up using nco_conf pack.
- C.They should be included in the solution delivery SQL file.
- D.They should be documented in the detailed design document but not delivered in the solution delivery package

Answer: B

2.What does the nco_pa_status tool display?

- A.the status output from a named Process Agent
- B.the status output from all Process Agents in the installation
- C.process accounting information for the named ObjectServer
- D.process accounting information for all binaries in the IBM Tivoli Netcool/OMNIBus installation

Answer: A

3.The username and password for the ObjectServer datasource is configured in which WebGUI configuration file?

- A.\$NCHOME/omnibus_webgui/etc/server.init
- B.\$NCHOME/omnibus_webgui/etc/datasources/ncwDataSource.dtd
- C.\$NCHOME/omnibus_webgui/etc/datasources/ncwDataSource.xml
- D.\$NCHOME/omnibus_webgui/etc/datasources/ncwDataSourceDefinitions.xml

Answer: D

4.Pluggable Authentication Modules are used to verify user credentials on a Linux host.What is the correct command line to start process control?

- A.%NCHOME/omnibus/bin/nco_pad -admingroup roots -authenticate KER -secure
- B.%NCHOME/omnibus/bin/nco_pad -admingroup root -authenticate PAM -secure
- C.%NCHOME/omnibus/bin/nco_pad -admingroup admin -authenticate PLUG -secure
- D.%NCHOME/omnibus/bin/nco pad -admingroup admin -authenticate UNIX -secure

Answer: B

5.What is the purpose of the BufferSize probe property (common to all probes)?

- A.It tells a probe how much memory to allocate for its internal buffers.
- B.It tells a probe the size of the buffer to use when reading alerts from its data source.
- C.It tells a probe the maximum number of alerts to buffer before flushing them to the destination ObjectServer(s).
- D.It tells a probe the maximum number of alerts to have awaiting processing by the rules file.Events received when the buffer is full are discarded automatically.

Answer: C

6.Which two actions are required when configuring a CGI script to use via a WebGUI tool? (Choose two.)

- A.ensure the script is writeable
- B.ensure the script is executable

- C. save the CGI script on the Web GUI server in the \$NCHOME/etc/cgi-bin directory
- D. save the CGI script on the Web GUI server in the \$OMNIHOME/etc/cgi-bin directory
- E. save the CGI script on the Web GUI server in the \$NCHOME/omnibus_webgui/etc/cgi-bin directory

Answer: BE

7. Examine this part of a rules file (line numbers added for troubleshooting)

```
[10] @Node=$node
[11] table dept="$NC_RULES_HOME/Dept.lookup"
[12] @Department=lookup($node,dept)
```

When running a syntaxcheck this error is displayed:

```
2013-01-22T11:25:14: Debug: D-UNK-000-000: Plain text rules file detected.
2013-01-22T11:25:14: Debug: D-ETC-004-050: THREAD MGR: thread Request Thread (0x80d0c58) running
2013-01-22T11:25:14: Error: E-UNK-000-000: Rules file 'snmptrap.rules' line 11: parse error
2013-01-22T11:25:14: Debug: D-UNK-000-000: Rules file caching is disabled.
2013-01-22T11:25:14: Error: E-UNK-000-000: Error(s) in rules file
```

What is the cause of this error?

- A. Dept.lookup has a syntax error.
- B. Department is not a valid Objectserver field.
- C. The NC_RULES_HOME environment variable is not set.
- D. Lookup table definitions must be located at the start of a rules file

Answer: D

8. Which two statements are true regarding Group Filters in WebGUI V7.4? (Choose two.)

- A. Only a single copy of the filter is needed.
- B. Only users with ncw_admin role can add group filters.
- C. User retains a copy of the filter when leaving the group.
- D. Global, system, user filters can depend on group filters.
- E. Allows users to share filters based on their membership.

Answer: AE

9. What is taken into consideration while calculating sizing for a server that will only run an IBM Tivoli Netcool/OMNIBusObjectServer?

- A. number of operator users configured
- B. number of WebGUI maps configured
- C. number of custom SQL triggers configured
- D. number of Process Control agents configured within the solution

Answer: C

10. A company is assessing their user and group requirements for WebGUI. WebGUI was configured for ObjectServer authentication during the installation. These users will need access to WebGUI

- 10 users will be monitoring the Active Event List in shifts. They will run tools that will modify events
- 1 manager will connect to the Active Event List occasionally to view certain event information
- 1 user will modify the Event Dashboard portlet preferences
- 3 users will configure the product to create views and filters for all users

Given these requirements, how many users will belong to each of the default user groups?

- A. 1 user is member of ncouser group, and 14 users are members of ncoadmin group.
- B. 11 users are members of ncouser group, and 4 users are members of ncoadmin group.
- C. 1 user is member of Netcool_OMNIBus_User group, and 14 users are members of Netcool_OMNIBus_Admin group.
- D. 11 users are members of Netcool_OMNIBus_User group, and 4 users are members of Netcool_OMNIBus_Admin group

Answer: C

11. A company is using Federated Repository with 3 LDAP servers defined. Users and groups are synced to the ObjectServer. Some users cannot log in to the Tivoli Integrated Portal. The SystemOut.log shows this exception:

```
[1/23/13 12:44:03:743 CST] 000000b5 exception    E com.ibm.ws.wim.ProfileManager loginImpl  
com.ibm.websphere.wim.exception.DuplicateLogonIdException: CWWIM4538E Multiple principals were  
found for the 'jsmith' principal name.
```

What can the administrator do to prevent the error?

- A. use one LDAP server only
- B. switch users.credentials.sync to False
- C. ensure usernames are unique across repositories
- D. use different value for users.credentials.sync.groupname

Answer: C

12. Which role is required to administer groups and roles in IBM Tivoli Netcool/OMNIBus V7.4 WebGUI?

- A. iscadmins
- B. nco_admin
- C. configurator
- D. administrator

Answer: A

13. Which statement is true about a signal trigger?

- A. It is executed repeatedly based on a specified frequency.
- B. It can only be executed if the system is running under process control.
- C. It can only be executed before or after an event is updated in the ObjectServer.
- D. It responds to changes detected within the IBM Tivoli Netcool/OMNIBus processes

Answer: D

14. Which three methods can be used to improve the resiliency of the IBM Tivoli Netcool/OMNIBus deployment? (Choose three.)

- A. deploying ObjectServers in pairs
- B. configuring and maintaining single sign-on capability
- C. deploying a second probe in peer-to-peer mode for any running probe
- D. using a probe raw capture file to determine the raw data reaching a probe
- E. setting up a cluster of Web GUI servers and then enabling Web GUI load balancing
- F. enabling multiple logins to allow multiple users to log in using the same user ID and password

Answer: ACE

15.What must be configured to run an ObjectServer in FIPS 140-2 security mode?

- A.set the SecurityEncryption property of the ObjectServer to the DES setting
- B.set the SecurityEncryption property of the ObjectServer to the AES setting
- C.set the PasswordEncryption property of the ObjectServer to the DES setting
- D.set the PasswordEncryption property of the ObjectServer to the AES setting

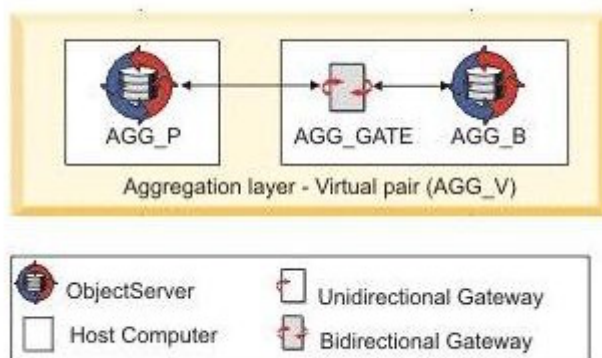
Answer: D

16.What is the only environment variable that has to be set to start the Display ObjectServer?

- A.NCHOME
- B.OMNI_HOME
- C.JAVA_HOME
- D.LD_LIBRARY_PATH

Answer: A

17.Click the Exhibit button.



An administrator at Widgetcom intends to use the standard multitier architecture configuration that ships with IBM Tivoli Netcool/OMNIbus V7.4 (Netcool/OMNIbus) to deploy an aggregation pair of ObjectServers AGG_P (primary) and AGG_B (backup) with a failover bidirectional gateway connecting them: AGG_GATE.

Two physical computer systems will be used to deploy this single tier deployment of Netcool/OMNIbus.What is the minimum memory that should be provisioned for the Netcool/OMNIbus components running on the primary aggregation ObjectServer host?

- A.1 GB
- B.2 GB
- C.4 GB
- D.6 GB

Answer: C

18.

An ObjectServer is being configured with High Availability.
The primary ObjectServer, called LONDON_P, is configured on servera.
The backup ObjectServer, called LONDON_B, is configured on serverb.
The synchronizer gateway, called LONDON_GATE, is installed on serverb.
Neither of the ObjectServers is running in Secure Mode.

The goal is a configuration that implements ObjectServer failover and fallback in the most efficient manner and in accordance with standard Best Practices.

Which statement is true about configuring ObjectServer users in the LONDON_GATE property file?

- A. Different ObjectServer user names can be used for each ObjectServer.
- B. ObjectServer user names and passwords are not required in the gateway property file.
- C. The password value entered in the gateway property file for the ObjectServer users must be encrypted using the nco_g_crypt Utility.
- D. The same ObjectServer user name configured in the gateway property file must be defined in the LONDON_P and LONDON_B ObjectServers.

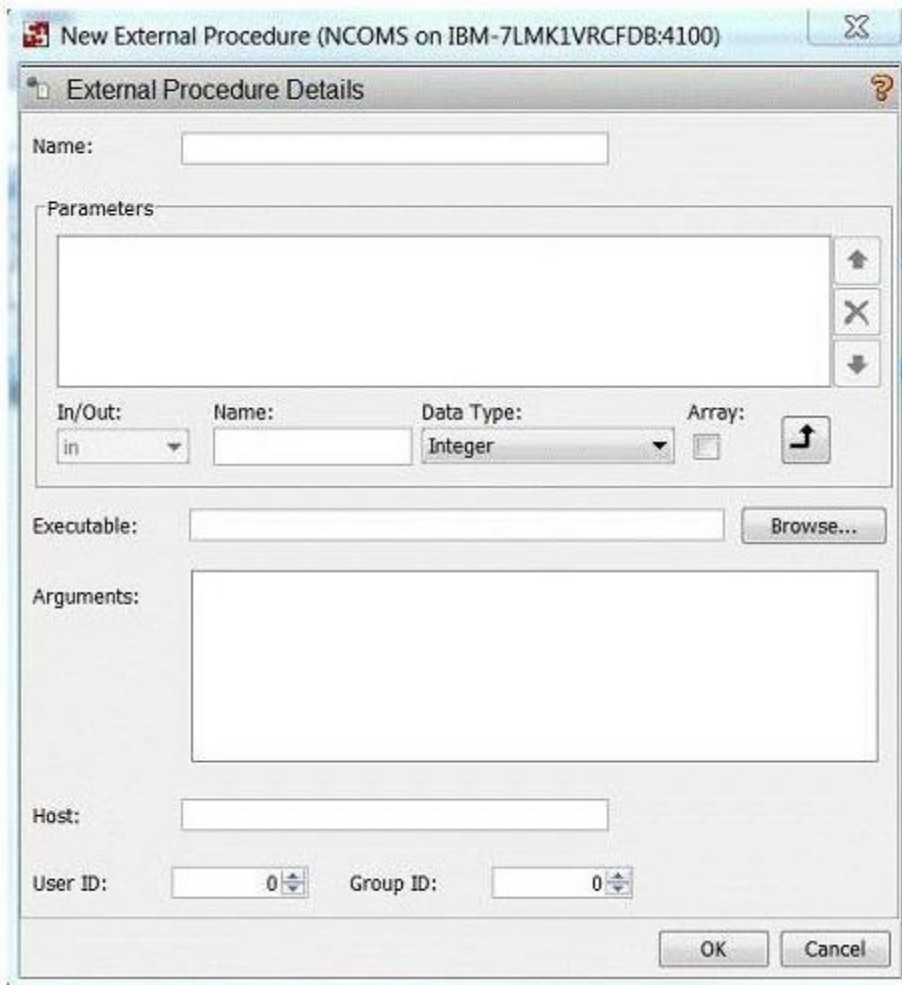
Answer: B

19. When developing several new pages in a sandbox dev/test system for the WebGUI, the work is ready to migrate to production during a change control. How is the migration performed?

- A. use a series of tipcli.sh import and export commands
- B. migrate the files in tip_home_dir/profiles/TIPProfile/output to the new system
- C. use the import/ export wizard in the Settings page of the WebGUI as an administrator
- D. create a tar file of the appropriate files in tip_home_dir/profiles/TIPProfile/etc/pages; transfer the tar file to the new system and untar in the same location

Answer: A

20. Click the Exhibit button.



When creating a new external procedure in the ObjectServer, which hostname should be listed as the Host parameter?

- A.localhost
- B.the ObjectServer hostname
- C.the local Process Agent name
- D.the hostname where the executable will be run

Answer: D