

# PASSTCERT

QUESTION & ANSWER

Higher Quality  
Better Service!

We offer free update service for one year  
[HTTP://WWW.PASSTCERT.COM](http://www.passtcert.com)

**Exam** : **E20-095**

**Title** : EMC Technology  
Foundations-CAS

**Version** : DEMO

1. Which statement about Network backup is correct?
- A. Both Metadata and Data passes over the network infrastructure
  - B. Only Data passes over the network infrastructure
  - C. Only Metadata passes over the network infrastructure
  - D. No Metadata or Data passes over the network infrastructure

**Answer: A**

2. In a Centera, how many internal switches are in a two cube Generation 4 cabinet?
- A. 2
  - B. 3
  - C. 4
  - D. 5

**Answer: C**

3. What is a characteristic of Centera fixed content?
- A. Expandable
  - B. Short-term storage
  - C. Transaction Oriented
  - D. Unalterable

**Answer: D**

4. What tool is used by service personnel to troubleshoot the Centera?
- A. Centera GUI
  - B. Centera Manager
  - C. Centera Viewer
  - D. CentraStar Verify

**Answer: C**

5. What is a characteristic of a Content Address in Centera?
- A. Filesystem based
  - B. Globally unique
  - C. Location-dependent
  - D. Sequentially based

**Answer: B**

6. Which statement is true about Celerra Replicator for iSCSI?
- A. Is a file level I/O transfer solution
  - B. Is implemented over campus distances only
  - C. Is implemented over traditional fibre channel infrastructures

D. Is implemented over traditional network infrastructures

**Answer: D**

7. Which statement about Internet Protocol (IP) is correct?

A. Defines the rules and procedures for sending information between network devices

B. Delivers datagrams to all members of its destination host group

C. Maps a logical network layer address with a physical MAC address

D. Sends administrative information between network devices

**Answer: A**

8. Which statement about User Datagram Protocol (UDP) is correct?

A. Connectionless base protocol

B. Every transmit requires an acknowledgement

C. Guaranteed delivery protocol

D. Ordered packet delivery

**Answer: A**

9. Which statement about Celerra TimeFinder/FS Near Copy is correct?

A. Is a CLARiiON only solution

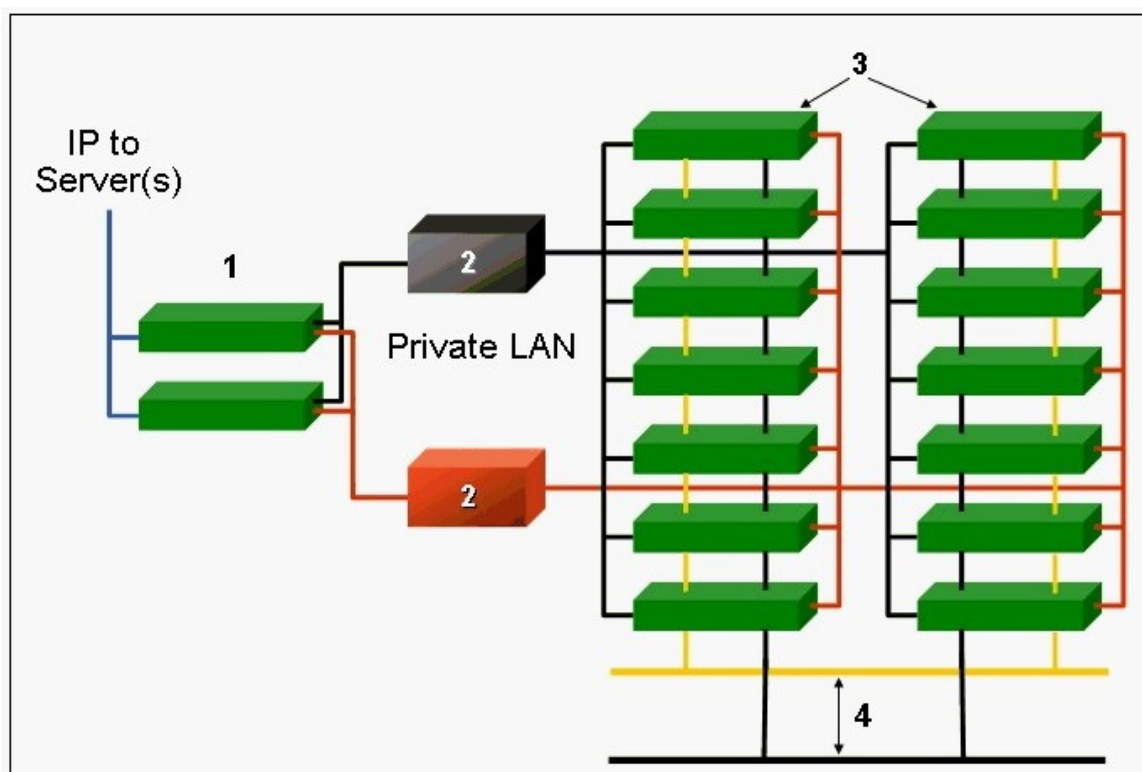
B. Provides a discrete standalone copy of the file system

C. Provides a pointer based view of the file system

D. Shares the same volume as the Production File System

**Answer: B**

10. The exhibit displays the basic components of a Centera. What are the names of the components labeled 2 and 3?



- A. 2=Access/Storage Nodes and 3=CUA
- B. 2=Access/Storage Nodes and 3=Storage Nodes
- C. 2=Switches and 3=Access/Storage Nodes
- D. 2=Switches and 3=Storage Nodes

**Answer: D**

11. How many CFIs exist in a NetWorker data zone?

- A. One per backup volume
- B. One per data zone
- C. One per NetWorker client
- D. One per NetWorker server

**Answer: C**

12. Which of the following is a dynamic routing protocol?

- A. DHCP
- B. NDMP
- C. OSPF
- D. SNMP

**Answer: C**

13. What is the maximum number of DataMovers supported in the NS5XX range of equipment?

- A. 2
- B. 4

C. 6

D. 8

**Answer: A**

14. What is a characteristic of Centera?

A. Block level storage interface

B. File Structure management

C. Guaranteed content authenticity

D. OLTP storage array

**Answer: C**

15. A UNIX client must perform which operation to access a NAS advertised connection point?

A. Export

B. Map

C. NFSMount

D. Share

**Answer: C**

16. What is a role of the NetWorker server?

A. Creates backups and tracking information

B. Gathers information about backups from multiple data zones

C. Manages backup devices

D. Stores NetWorker configuration information and tracking data

**Answer: D**

17. In a NetWorker directed recovery, what is true about the destination client?

A. Cannot also be the source client and the administering client

B. Cannot be the administering client

C. Cannot be the source client

D. May also be the administering client

**Answer: B**

18. Which statement about NDMP2D backup is correct?

A. Both Metadata and Data passes over the network infrastructure

B. Data passes over the network infrastructure

C. Metadata passes over the network infrastructure

D. No Metadata or Data passes over the network infrastructure

**Answer: C**

19. Which statement about Celerra TimeFinder/FS is correct?

- A. Is a CLARiiON only solution
- B. Is a Symmetrix only solution
- C. Provides a pointer based view of the file system
- D. Shares the same volume as the Production File System

**Answer: B**

20. With a subnet mask of 255.255.240.0, what will the network boundary be without enabling 1 bit subnetting?

- A. 8
- B. 16
- C. 32
- D. 64

**Answer: B**