

# PASSTCERT

QUESTION & ANSWER

Higher Quality  
Better Service!

We offer free update service for one year  
[HTTP://WWW.PASSTCERT.COM](http://www.passtcert.com)

**Exam** : **HP0-Y37**

**Title** : Migrating & Troubleshooting  
Enterprise Networks

**Version** : Demo

### 1.DRAG DROP

Click the Task button. In a multihome AS, you are replacing one of the BGP-configured Cisco routers with a BGP-configured HP A-Series router. You want to reduce the downtime during the migration process. Place the steps for the migration in the correct order.

Place the migration steps in the correct order.

Steps	
Place Step 1 here	On HP, set iBGP, announce default route
Place Step 2 here	Disable iBGP Peering on Cisco Router
Place Step 3 here	Disable Default route advertising on Cisco router
Place Step 4 here	Shut down eBGP peering on Cisco router
Place Step 5 here	Connect HP BGP router and set eBGP

Done

**Answer:**

Place the migration steps in the correct order.

Steps
Shut down eBGP peering on Cisco router
Disable iBGP Peering on Cisco Router
Connect HP BGP router and set eBGP
On HP, set iBGP, announce default route
Disable Default route advertising on Cisco router

Done

2.You want to add HP edge switches to a company's Cisco network. Distribution Cisco switches are set as

the Rapid PVST+ root and secondary root. You connect HP A-Series switches that are running their factory default configuration to the two Cisco distribution switches. What will happen.?

- A. If you connect the edge switch with a redundant link to both distribution switches, you create a loop and a broadcast storm on the Cisco network.
- B. Cisco distribution switches send tagged PVST+ BPDUs to the HP switch. Because 802.1q is not yet configured on HP switch uplinks, the PVST+ BPDUs are dropped. A loop occurs.
- C. Cisco distribution switches send untagged standard BPDUs to the HP switch in VLAN 1, and in response the HP switch blocks one of the uplinks on all VLANs, preventing a loop.
- D. Cisco distribution switches send untagged standard BPDUs to HP switch in VLAN 1, which the HP switch forwards to the other distribution switch, preventing a loop. The HP switch drops all tagged data frames.

**Answer: D**

3.A company's LAN is composed of Cisco switches only. The network runs Rapid PVST+ with the short pathcost method. Cisco distribution switches are set as root and secondary root in all VLANs. These two switches connect over an Etherchannel. The company wants to install HP PoE switches at the edge of its LAN. The customer wants to keep the load-balancing of traffic that is set in PVST+. What are the possible options? (Select three.)

- A. ensure Spanning Tree is disabled on the HP edge switch, and configure loop-protection on edge ports to avoid local loops
- B. if the HP edge switch is an A-Series switch, configure Smart Link with load balancing between instances
- C. if the HP edge switch is an A-Series switch, configure Rapid PVST+ on it
- D. configure MSTP on the HP edge switch, but set the cost of its uplink higher than that on the channel between the distribution switches
- E. configure MSTP on the HP edge switch and divide the VLANs into different instances
- F. configure MSTP on the HP edge switch and set its uplink port cost to 5
- G. configure MSTP on the HP edge switch, but set the cost of its uplink lower than that on the channel between the distribution switches

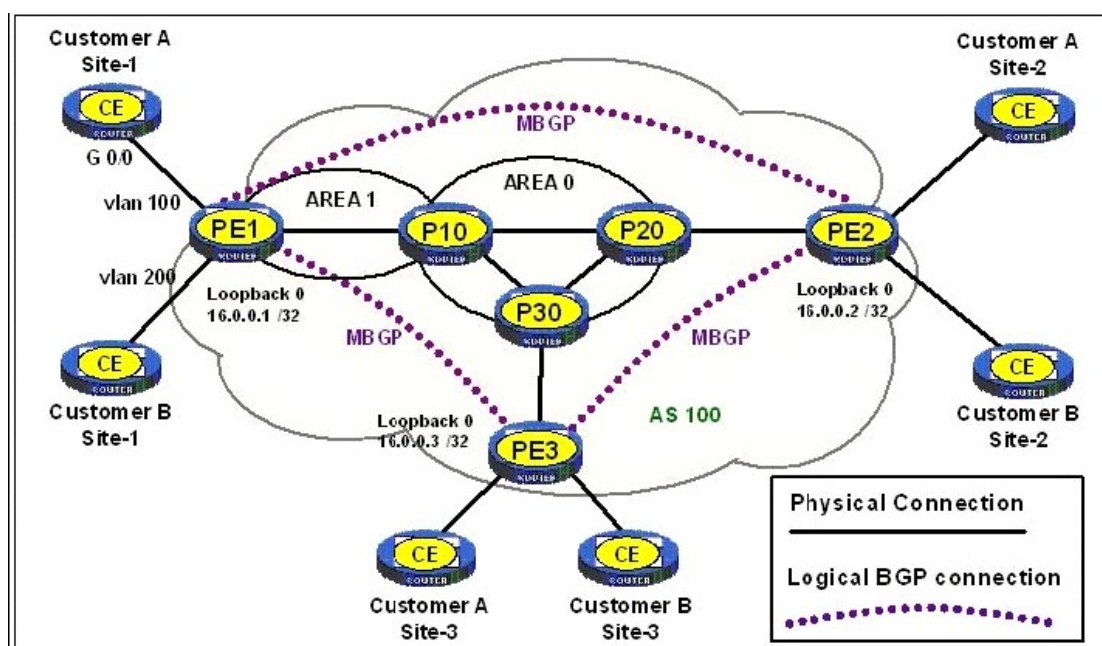
**Answer: A,B,D**

4.A provider of MPLS services configures MPLS Layer-3 VPN services for three customers. Each customer has three branch offices that will be interconnected by MPLS Layer-3 VPNs. One customer is advertising their IP prefixes between sites using BGP. This customer establishes a backup link directly connecting Site-1 to Site-2. Which BGP attribute can the provider use to prevent routing update loops in the MPLS network?

- A. COO
- B. FOO
- C. KOO
- D. SOO
- E. VOO

**Answer: D**

5.Click the Exhibit button.



A provider of MPLS services configures MPLS Layer-3 VPN services for two customers. Each customer has three branch offices that will be interconnected by MPLS Layer-3 VPNs. The address blocks chosen by the customers for each site are shown in the following chart:

The provider uses OSPF as its IGP with the Loopback 0 addresses shown as the OSPF router-id and the MPLS LSR-ID. A traceroute from Cust-A Site #1 to Cust-A Site #2 displays 5 intermediate routers.

Which statements are true? (Select three.)

- A. MPLS label TTL expires on P-10.
- B. TTL propagation is enabled on PE-1.
- C. All but the first trace is processed by PE-2.
- D. IP TTL expires on P-20.
- E. PE-1 generates ICMP echo replies on behalf of P-10 and P-20.
- F. TTL propagation is disabled on PE-1.

**Answer:** A,B,C

6.Which statements are true about DHCP Snooping? (Select two.)

- A. DHCP Snooping is a Cisco Proprietary protocol. The standard is not yet ratified.
- B. DHCP Snooping prevents end nodes from receiving IP address assignments from an unauthorized DHCP server.
- C. DHCP Snooping is a malicious attack against the DHCP servers.
- D. The DHCP Snooping binding table contains information about hosts interconnected with a trusted interface.
- E. DHCP Snooping is when a switch acts as a DHCP server for end nodes that connect to that particular switch. This way, end nodes always get an IP address.
- F. When configuring DHCP Snooping on a switch, you define which ports are trusted to receive DHCP offers. Typically uplinks of a switch are trusted and Edge ports are untrusted.

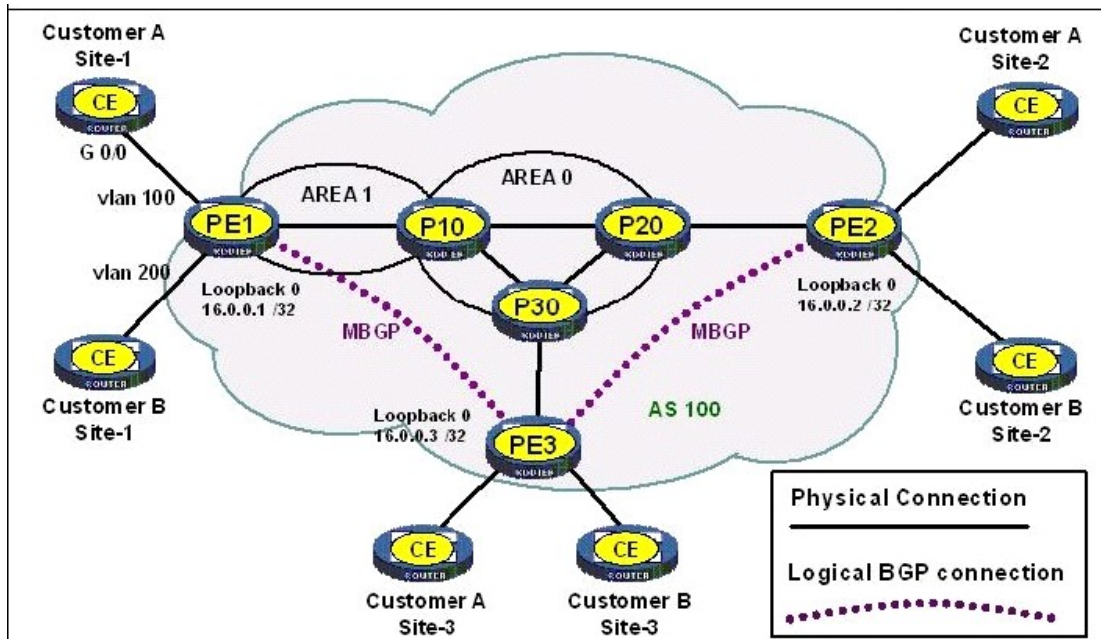
**Answer:** B,F

7.Which statements about BPDU Guard are correct? (Select three.)

- A. It is a Cisco proprietary protocol that prevents other switches from sending BDPUs.
- B. BPDU Guard filters the standard BDPUs received on the port.
- C. BPDU Guard filters the PVST BDPUs received on the port.
- D. BPDU Guard generates an alarm when a BPDU is received on the port and may block the port.
- E. BPDU Guard is an open standard.
- F. BPDU Guard is not a protocol. It must be applied locally and individually on switches.

**Answer:** B,D,F

8. Click the Exhibit button.



A provider of MPLS services configures MPLS Layer-3 VPN services for two customers. Each customer has three branch offices that will be interconnected by MPLS Layer-3 VPNs. The following are address blocks chosen by the customers for each site as shown in the chart:

The provider uses OSPF as its IGP with the Loopback 0 addresses shown as the OSPF router-id and the MPLS LSR-ID. Customer A uses a default route on each site. Customer B uses eBGP to exchange routes with the provider. All MPLS layer-3 VPNs are functioning properly. Which configuration change will cause Customer-A Site 1 to lose access to Customer-A Site 2?

- A. [PE-1]  
bgp 1  
undo import-route static
- B. [P-10]  
ospf 1  
area 0  
abr-summary 16.0.0.2 30 cost 1000
- C. [PE-1]  
int vlan 100  
undo mpls ldp
- D. [PE-3]  
bgp 1

undo peer 16.0.0.1 reflect-client

E. [P-10]

ip route static 10.1.0.0 16 null 0 preference 9

**Answer: B**

9.Which statement is true about BGP Route Refresh? (Select two.)

- A. Route Refresh is a feature for supported CPU functions with BGP routers that manage high number of IP Prefixes.
- B. Route Refresh is advertised as a BGP capability to BGP neighbors during BGP session establishment.
- C. BGP Route Refresh eliminates the need for a Hard Reset of the BGP connection with a BGP neighbor when route policies are changed.
- D. With Route Refresh, a BGP router stores all BGP prefixes sent by a BGP neighbor.
- E. With Route Refresh, a BGP Hard Reset is used to generate inbound updates from a neighbor or to generate outbound updates to a neighbor.

**Answer: B,C**

10.Click the Exhibit button.

**BGP Configuration in HP Comware OS**

```
bgp 100
 network 200.1.0.0 255.255.254.0
 peer 222.222.10.1 as-number 200
 peer 222.222.10.1 route-policy IN-CORP1 import
 peer 222.222.10.1 bfd
quit
#
acl number 2001
 description networks in 200.X.X.X
 rule 0 permit source 200.0.0.0 0.255.255.255
#
 ip as-path 2 permit _200$
#
route-policy IN-CORP1 deny node 10
 if-match acl 2001
route-policy IN-CORP1 permit node 20
 if-match as-path 2
 apply local-preference 200
route-policy IN-CORP1 permit node 30
 apply local-preference 100
```

Which statements are true about the BGP configuration of this HP A-Series router? (Select two.)

- A. The router announces IP prefix 200.1.0.0/23 to its BGP neighbor if the network is in routing table.
- B. The as-path ACL define networks that were last forwarded by AS 200.
- C. The configuration includes a filter out to the neighbor 222.222.10.1.
- D. The BGP router is in AS 200 and its BGP neighbor is in AS 100.
- E. The BGP router will establish a BFD connection with its BGP neighbor 222.222.10.1 if the neighbor is also configured for BFD

**Answer: A,E**

11.Click the Exhibit button.

**BGP Configuration in HP Comware OS**

```
ip route-static 215.34.10.0 22 Serial 5/0
#
bgp 100
Import-route static route-policy static-to-bgp
#
route-policy static-to-bgp permit node 10
if-match ip-prefix ISP-block
Apply origin igp

ip ip-prefix ISP-block permit 215.34.10.0 22 less-equal 30
```

**BGP Configuration in Cisco IOS**

```
ip route 215.34.10.0 255.255.252.0 Serial 5/0
!
router bgp 100
redistribute static route-map static-to-bgp
!
route-map static-to-bgp permit 10
match ip address prefix-list ISP-block
set origin igp

ip prefix-list ISP-block permit 215.34.10.0/22 le 30
```

You are replacing a Cisco BGP router with an HP A-Series BGP router. Examine the router's configurations. Which statements accurately describe the routers' configurations? (Select three.)

- A. Both configurations are identical in function.
- B. The HP A-Series router will not implement the same BGP functions as the Cisco router.
- C. Both BGP routers announce a static route to its BGP neighbor.
- D. Both BGP routers announce network 215.34.10.0/22.
- E. Neither BGP routers can announce a redistributed static route because no metrics are set.
- F. The A-Series router's prefix list is misconfigured.

**Answer:** A,C,D

12. What is a characteristic of load balancing in RRPP?

- A. multiple RRPP rings within a domain
- B. overlapping RRPP rings
- C. multiple RRPP domains with different root priorities
- D. It is not possible to load balance with RRPP.
- E. multiple RRPP domains sharing the same ring

**Answer:** E

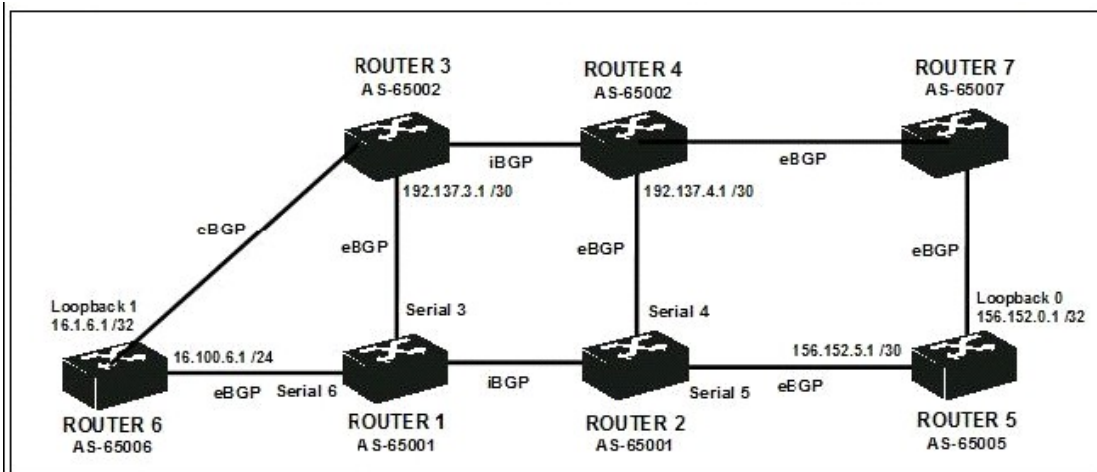
13. Which protocols are supported on the HP A-Series switch? (Select three.)

- A. SSH v1 only
- B. SSH v1 and v2
- C. RADIUS only
- D. TACACS+ and RADIUS
- E. TACACS and RADIUS
- F. SNMPv2c only
- G. SNMPv2c and SNMPv3

**Answer:** B,D,G



14. Click the Exhibit button and view the three exhibits.



```
<Router-1>
bgp 65001
 network 16.1.0.0 255.255.0.0
 network 16.2.0.0 255.255.0.0
 network 16.3.0.0 255.255.0.0
 undo synchronization
 peer 16.1.6.1 as-number 65006
 peer 16.1.6.1 connect-interface Loop0
 peer 16.1.6.1 route-policy PolicyC
import
 peer 16.1.6.1 route-policy PolicyD
export

 peer 192.137.3.1 as-number 65002
 peer 192.137.3.1 route-policy PolicyA
import
 peer 192.137.3.1 route-policy PolicyB
export

 peer 16.0.0.2 as-number 65001
 peer 16.0.0.2 connect-interface Loop0
 peer 16.0.0.2 next-hop-local
#
ip ip-prefix Prefix1 index 10 permit
16.1.0.0 16
ip ip-prefix Prefix2 index 20 permit
16.2.0.0 16
ip ip-prefix Prefix3 index 30 permit
16.3.0.0 16
```

```
<Router-1> display ip routing-table
```

```
protocol ospf
 Destination/Mask   Proto  Pre  Cost
 NextHop
192.137.4.0/30      OSPF   110  100
16.1.1.2
16.1.0.0/16         OSPF   110  100
16.1.1.2
16.2.0.0/16         OSPF   110  100
16.1.1.2
```

```
<Router-1> display ip routing-table
```

```
protocol static
 Destination/Mask   Proto  Pre  Cost
 NextHop           Interface
16.2.0.0/16        Static 60   0
16.1.1.2           GEO/0
16.3.0.0/16        Static 60   0
0.0.0.0            NULL0
16.1.6.1/32        Static 60   0
16.100.6.1         Serial 6
```

```

Router 2 Config
<Router-2>
bgp 65001
 network 16.1.0.0 255.255.0.0
 network 16.2.0.0 255.255.0.0
 network 16.3.0.0 255.255.0.0
 undo synchronization
 peer 156.152.5.1 as-number 65005
 peer 156.152.5.1 next-hop-local
 peer 156.152.5.1 route-policy PolicyC
import
 peer 156.152.5.1 route-policy PolicyD
export

 peer 192.137.4.1 as-number 65002
 peer 192.137.4.1 route-policy PolicyA
import
 peer 192.137.4.1 route-policy PolicyB
export

 peer 16.0.0.1 as-number 65001
 peer 16.0.0.1 connect-interface Loop0
#
 ip ip-prefix Prefix1 index 10 permit
16.1.0.0 16
 ip ip-prefix Prefix2 index 20 permit
16.2.0.0 16
 ip ip-prefix Prefix3 index 30 permit
16.3.0.0 16

```

When interface Serial 4 of Router 2 fails, traffic from Router 1 destined for network 156.152.0.0/16 leaves AS 65001 via the Serial 3 interface of Router 1. The administrator prefers that this traffic leaves AS 65001 through interface Serial 5 of Router 2. Which configuration change will achieve the desired results?

A. Router-2#

```

bgp 100
peer 16.0.0.1 next-hop-local

```

B. Router-2#

```

route-policy Policy permit node 10
apply local-preference 500
bgp 100
peer 156.152.5.1 route-policy Policy

```

C. Router-2#

```

route-policy Policy permit node 10
apply preferred-value 500
bgp 100
peer 156.152.5.1 route-policy Policy

```

D. Router-1#

```

route-policy Policy permit node 10
apply preferred-value 500
bgp 100

```

peer 16.0.0.2 route-policy Policy

**Answer:** A

15. You want to enable RRPP on interface Gigabit Ethernet 1/0/4 of an HP A-Series switch. Which commands should be configured on this interface? (Select two.)

- A. stp disable
- B. rrrp ring 1 enable
- C. port link-type trunk
- D. port link-type rrrp
- E. stp enable

**Answer:** A,C