

# PASSTCERT

QUESTION & ANSWER

Higher Quality  
Better Service!

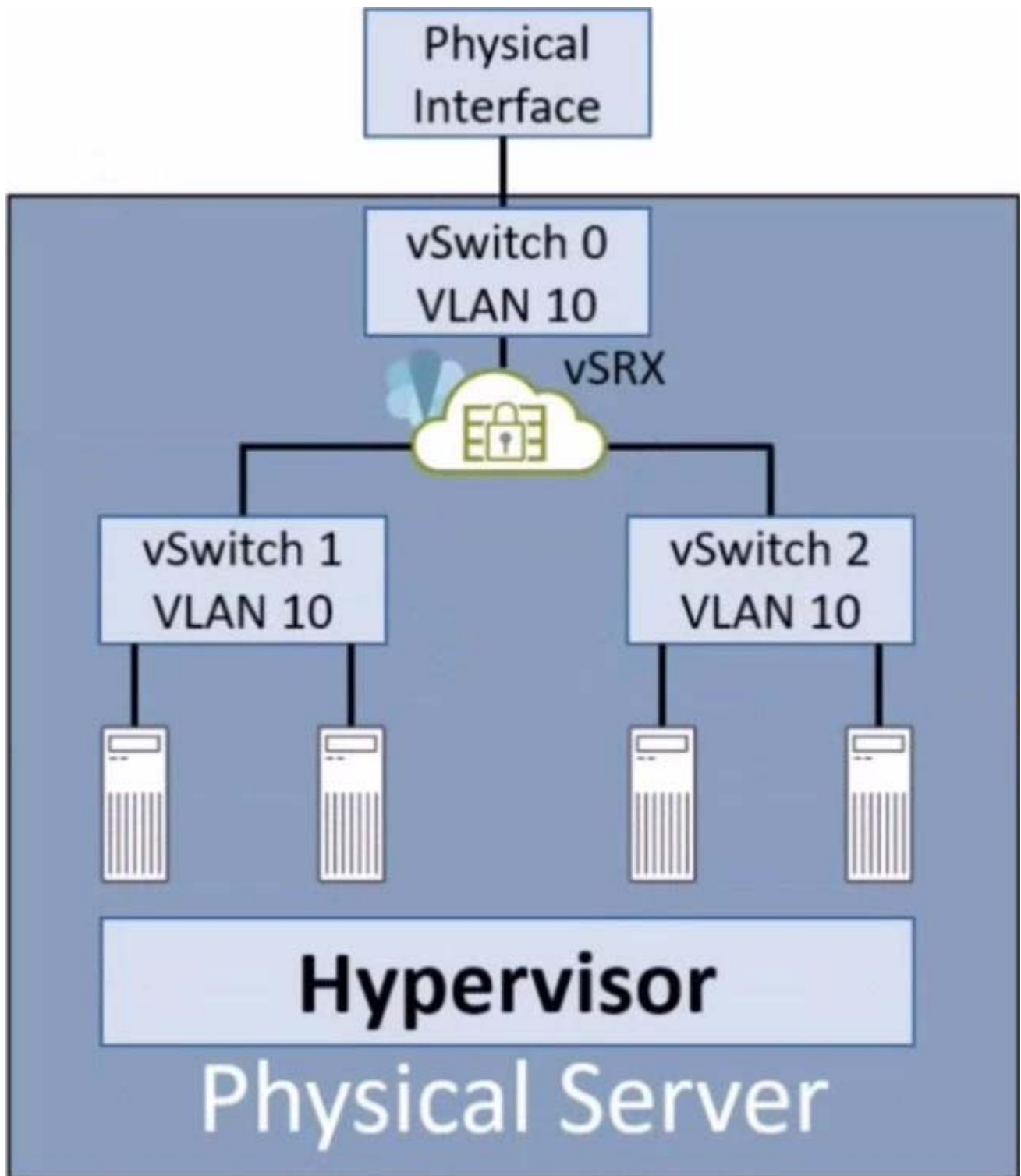
We offer free update service for one year  
[HTTP://WWW.PASSTCERT.COM](http://www.passtcert.com)

**Exam : JN0-1302**

**Title : Data Center Design  
Specialist (JNCDS-DC)**

**Version : DEMO**

1.Exhibit.



Referring to the exhibit, which two statements are true? (Choose two.)

- A. The vSRX is performing microsegmentation
- B. The vSRX is working in transparent mode.
- C. The vSRX is working in routed mode
- D. The vSRX is not performing microsegmentation

**Answer:** A,C

2.Which two Layer 2 Data Center Interconnect redundancy options support active/active forwarding?  
(Choose two.)

- A. VPLSLAG
- B. point-to-point LAG
- C. EVPN multihoming
- D. VPLS multihoming

**Answer:** C,D

3.Your company wants to expand operations and build small data centers in locations where it is difficult to maintain physical routing equipment. You must recommend a Juniper product that minimizes this issue. Which product would you recommend in this situation?

- A. MX104
- B. vMX
- C. vRR
- D. Virtual Chassis

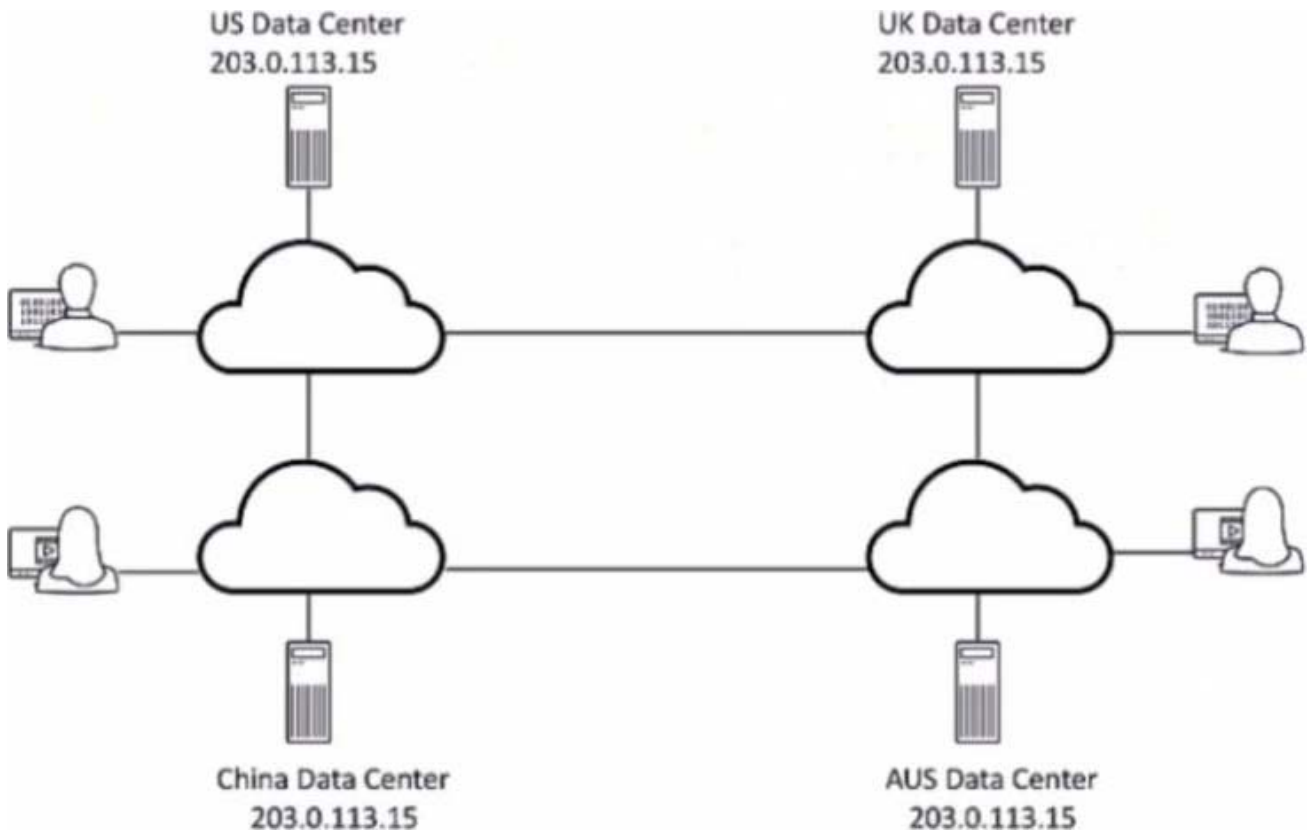
**Answer:** B

4.Which three statements about Contrail Networking are true? (Choose three.)

- A. It is used to service chain network functions.
- B. It is used to program physical network functions.
- C. It is used to virtualize and program networks.
- D. It is used to virtualize and program compute.
- E. It is used to create distributed cloud storage.

**Answer:** A,C,E

5.Exhibit.



Which two statements about the redundancy design shown in the exhibit are true? (Choose two)

- A. Inter-server traffic must use an alternate IP address
- B. Multicast IP addressing is in use
- C. User traffic must be policy-routed to the active data center
- D. Anycast IP addressing is in use

**Answer:** A,D